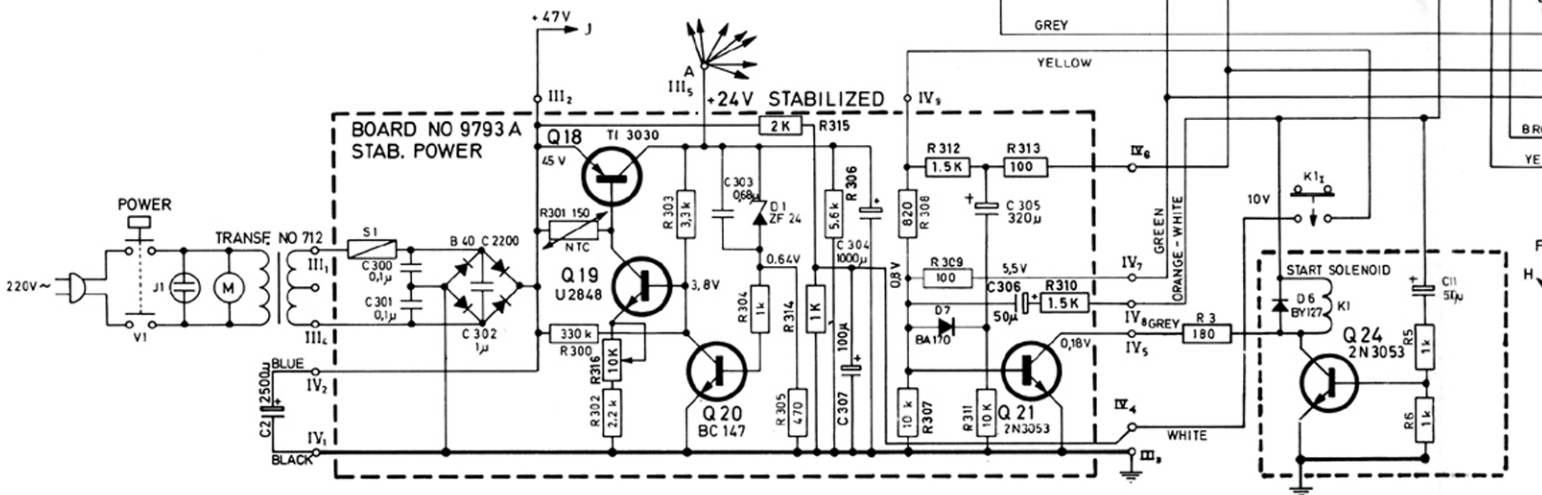
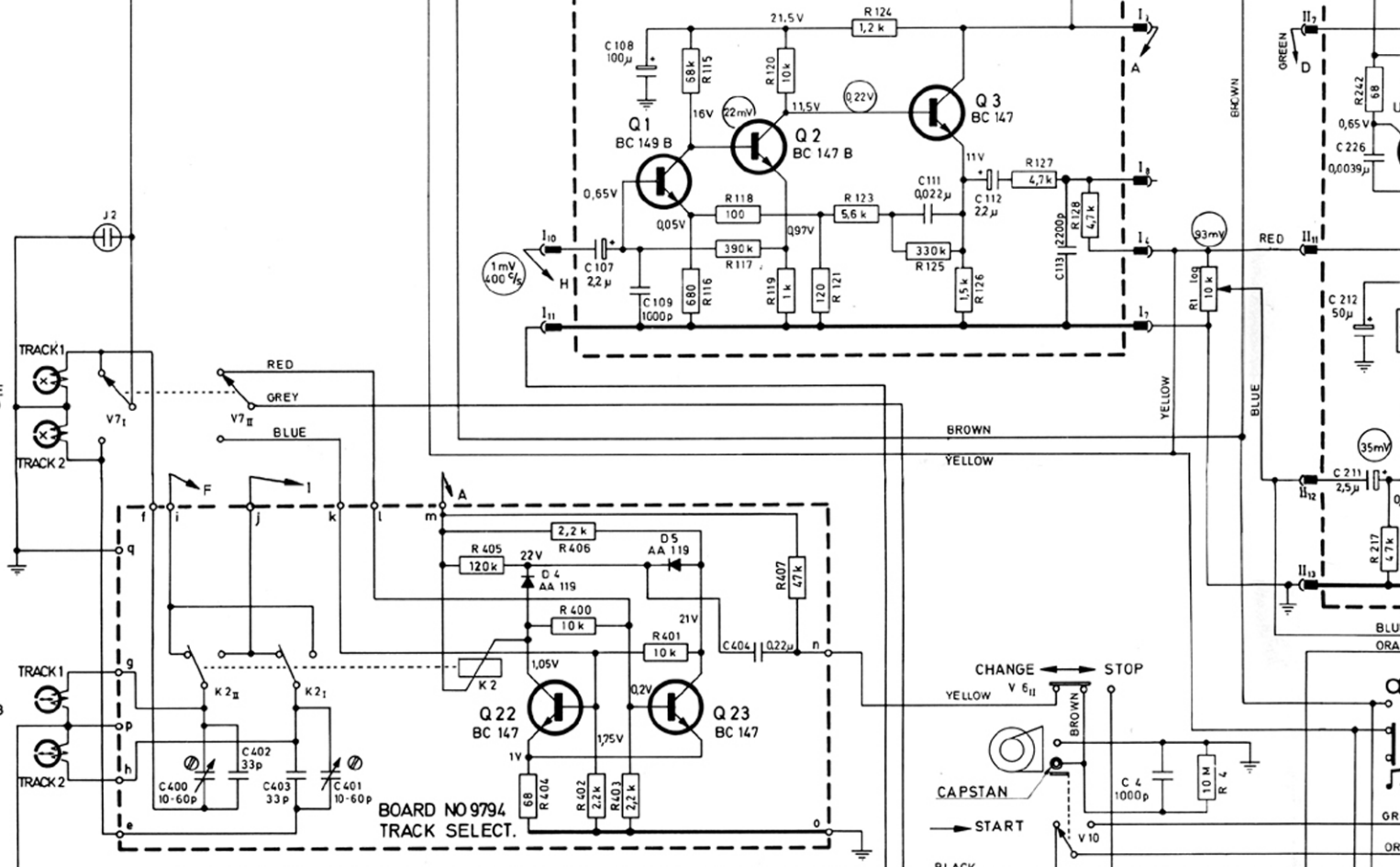
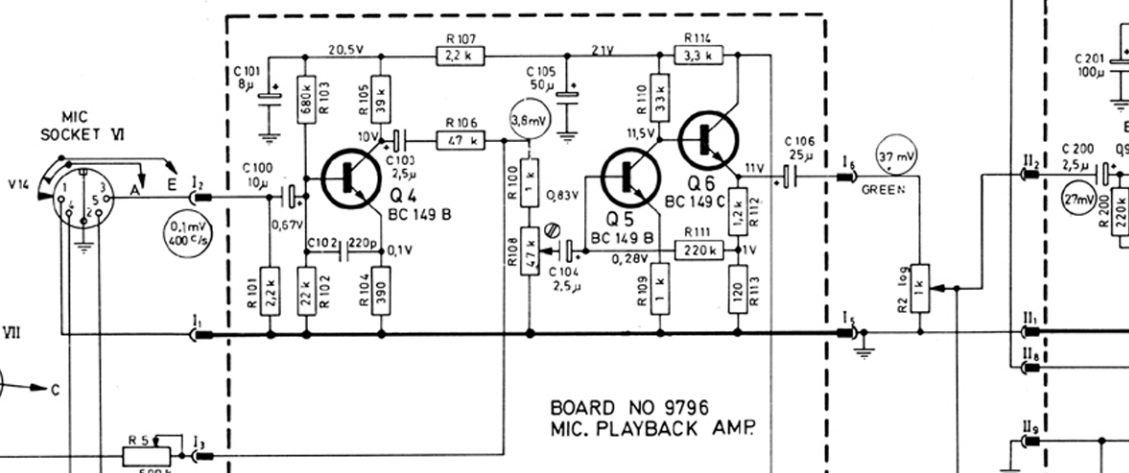


Tandbergs Radiofabrikk A/s
WIRING DIAGRAM
TAPE RECORDER MODEL 1325
 DRAWING NO. 9917
 FROM SERIAL NO. 2103657
 MAY 1969

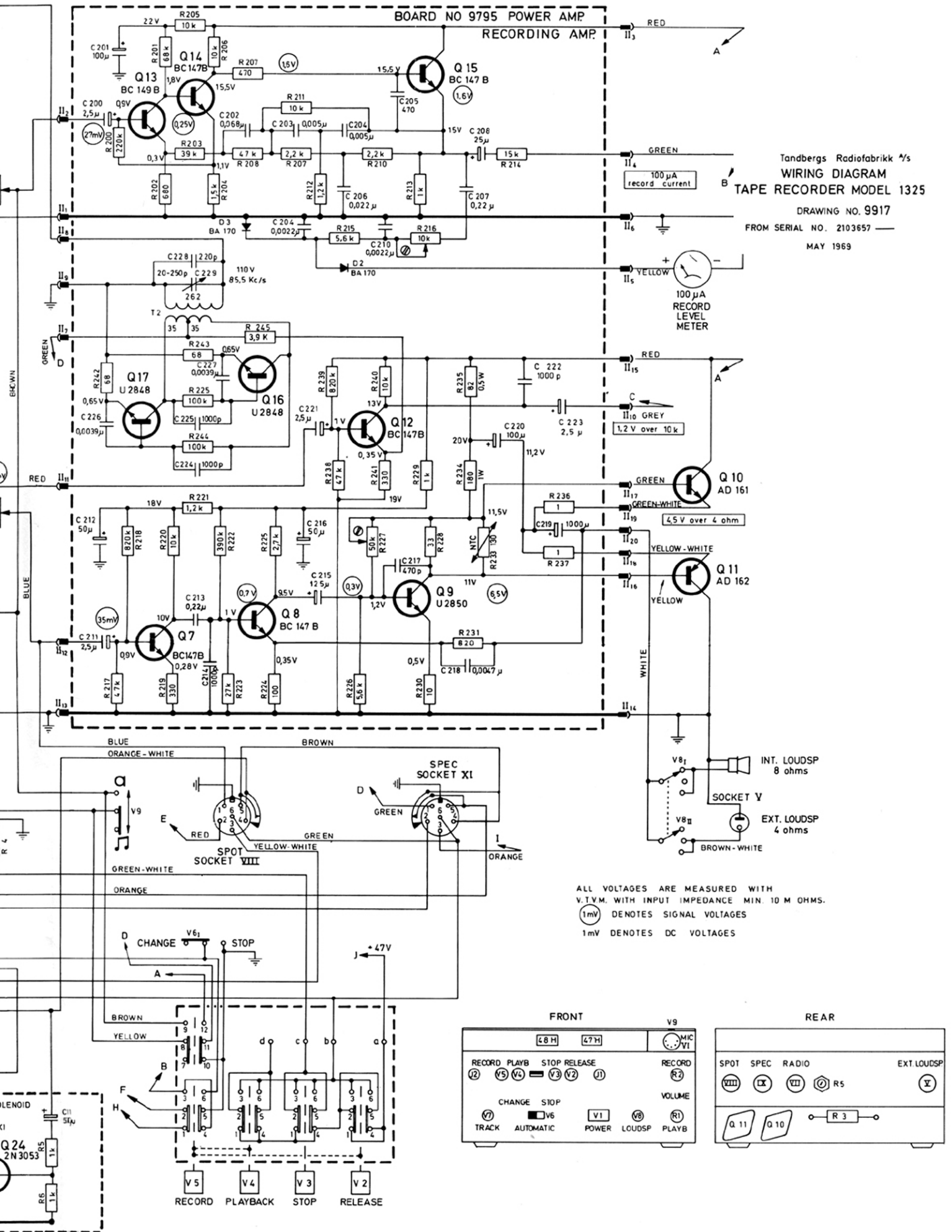


BOARD NO 9795 POWER AMP

RECORDING AMP.

Tandbergs Radiofabrikk A/s
WIRING DIAGRAM
TAPE RECORDER MODEL 1325

DRAWING NO. 9917
FROM SERIAL NO. 2103657
MAY 1969



ALL VOLTAGES ARE MEASURED WITH
V.T.V.M. WITH INPUT IMPEDANCE MIN. 10 M OHMS.
1mV DENOTES SIGNAL VOLTAGES
1mV DENOTES DC VOLTAGES

